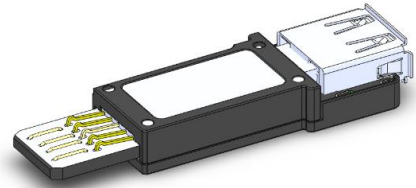
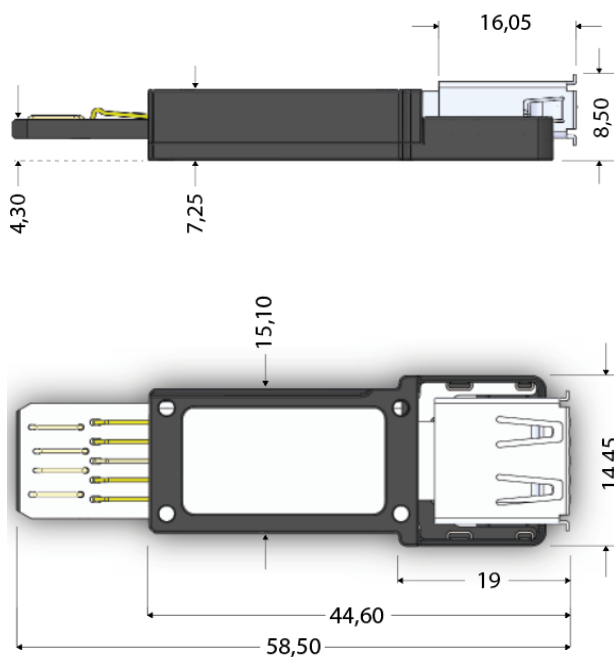


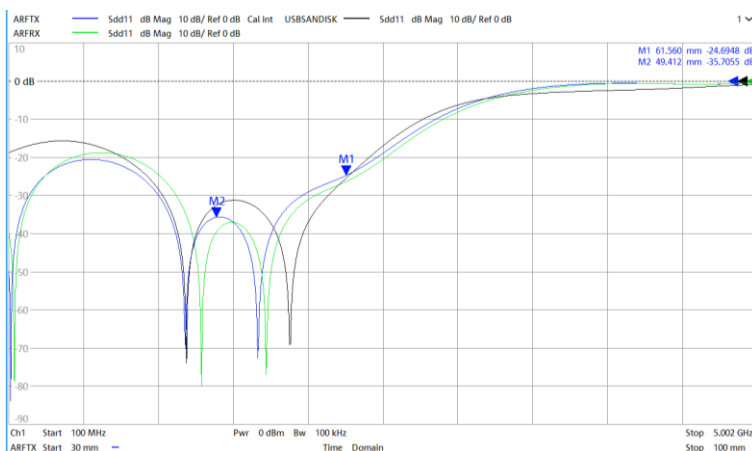
## ARF 198 009 USB3.0 A Test Connector USB 3.0 A



### Mechanical Dimensions (in mm)



### TDR Measurement



NB: This connector should not be used manually; the plugin must be mechanically automated.

### General specifications

#### Dimensions

Length	58,50 mm
Height	8,50 mm
Width	14,45 mm

#### Mechanical Specifications

Connection Type	USB Type A Male
DUT / Test Item	USB Type A Female

#### Electrical Specifications

Continuous Current	1 A
typ. Contact Resistance	20,00 mOhm
Operating Voltage VAC / VDC	25 VAC / 60 VDC
Data Transmission Rate	5 GBIT/S

#### Accessories

Floating Holder	ARF H 198
-----------------	-----------

#### Guarantee

Service Life	60,000 cycles
--------------	---------------