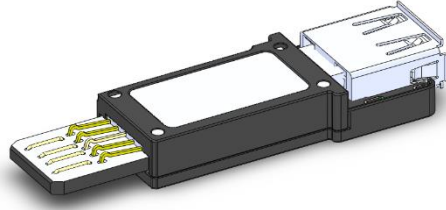


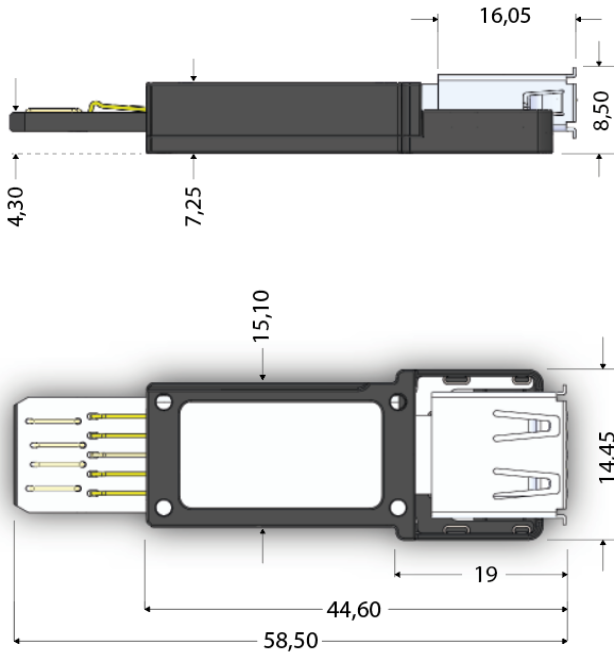
ARF TEST Datasheet – USB3.0 Connector – ARF 198 009 USB3.0 A

ARF 198 009 USB3.0 A

Test Connector USB3.0 A



Mechanical Dimensions (in mm)



General specifications

Dimensions

| | |
|--------|----------|
| Length | 58,50 mm |
| Height | 8,50 mm |
| Wide | 14,45 mm |

Mechanical Specifications

| | |
|-----------------|-------------------|
| Connection Type | USB Type A Male |
| DUT / Test Item | USB Type A Female |

Electrical Specifications

| | |
|-----------------------------|-----------------|
| Continuous Current | 1 A |
| typ. Contact Resistance | 20,00 mOhm |
| Operating Voltage VAC / VDC | 25 VAC / 60 VDC |
| Data Transmission Rate | 5 GBIT/S |

Accessories

| | |
|-----------------|-----------|
| Floating Holder | ARF H 198 |
|-----------------|-----------|

TDR Measurement

