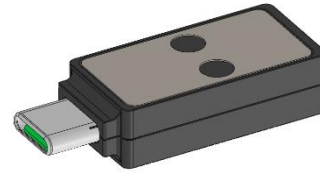


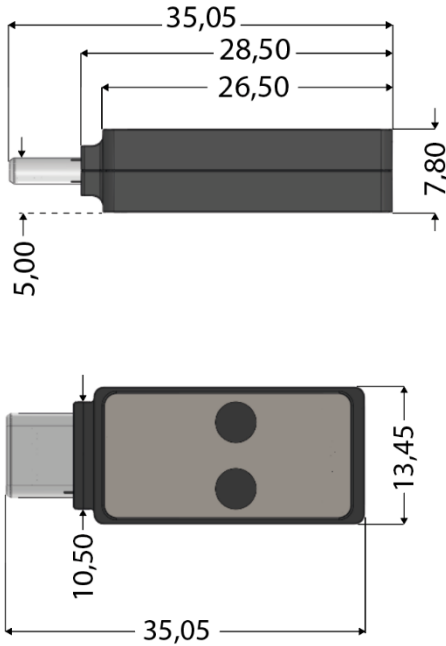
ARF TEST Datasheet – USB Type C Connector – ARF 198 009 USB3.0 Type-C

ARF 198 009 USB3.0 Type-C

Test Connector USB Type C



Mechanical Dimensions (in mm)



General specifications

Dimensions

Length	35,05 mm
Height	7,80 mm
Wide	13,45 mm

Mechanical Specifications

Connection Type	USB Type C Male
DUT / Test Item	USB Type C Female

Electrical Specifications

Continuous Current	1 A
typ. Contact Resistance	20,00 mOhm
Operating Voltage VAC / VDC	25 VAC / 60 VDC
Data Transmission Rate	5 GBIT/S

Accessories

Floating Holder	ARF H 198
-----------------	-----------

Guarantee

Service Life	60,000 cycles
--------------	---------------

NB: This connector should not be used manually; the plugin must be mechanically automated.