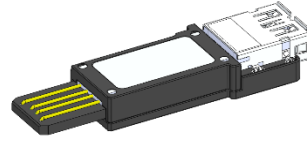
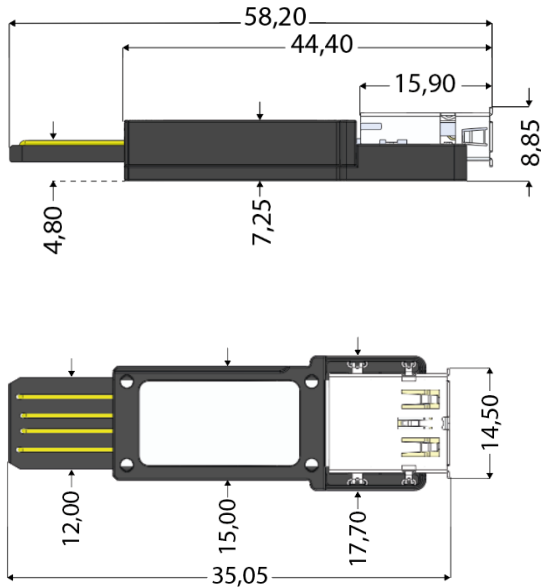


ARF 198 004 USB2.0 A

Test Connector USB 2.0



Mechanical Dimensions (in mm)



General specifications

Dimensions

Length	58,20 mm
Height	8,85 mm
Wide	17,70 mm

Mechanical Specifications

Connection Type	USB A Male
DUT / Test Item	USB A Female

Electrical Specifications

Continuous Current	1 A
typ. Contact Resistance	20,00 mOhm
Operating Voltage VAC / VDC	25 VAC / 60 VDC
Data Transmission Rate	480 MBIT/S

Accessories

Floating Holder	ARF H 198
-----------------	-----------

Guarantee

Service Life	60,000 cycles
--------------	---------------

NB: This connector should not be used manually; the plugin must be mechanically automated.