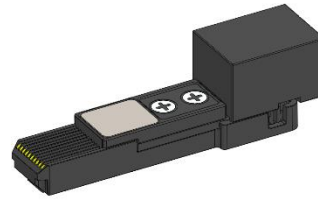


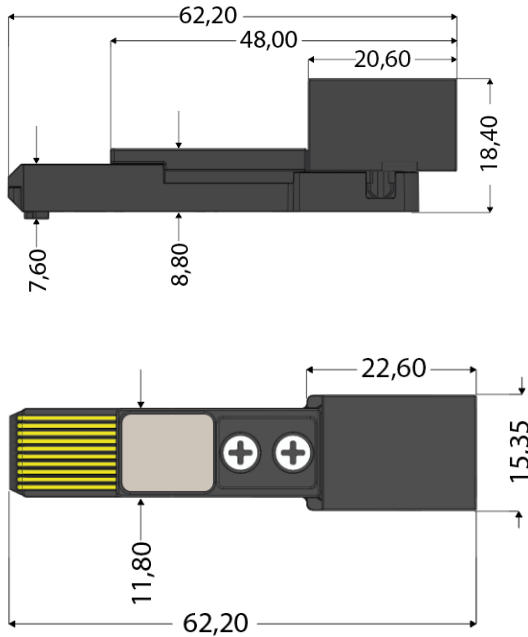
ARF TEST Datasheet – RJ50 Connector – ARF 201 010 RJ50

ARF 201 010 RJ50

Test Connector RJ50



Mechanical Dimensions (in mm)



General specifications

Dimensions

Length	62,20 mm
Height	19,40 mm
Wide	15,35 mm

Mechanical Specifications

Connection Type	RJ50 Male
DUT / Test Item	RJ50 Female

Electrical Specifications

Continuous Current	1 A
typ. Contact Resistance	20,00 mOhm
Operating Voltage VAC / VDC	25 VAC / 60 VDC
Data Transmission Rate	1 GBIT/S

Accessories

Floating Holder	ARF H 201
-----------------	-----------

Guarantee

Service Life	60,000 cycles
--------------	---------------

NB: This connector should not be used manually; the plugin must be mechanically automated.