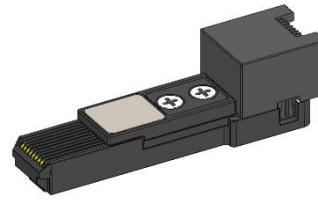


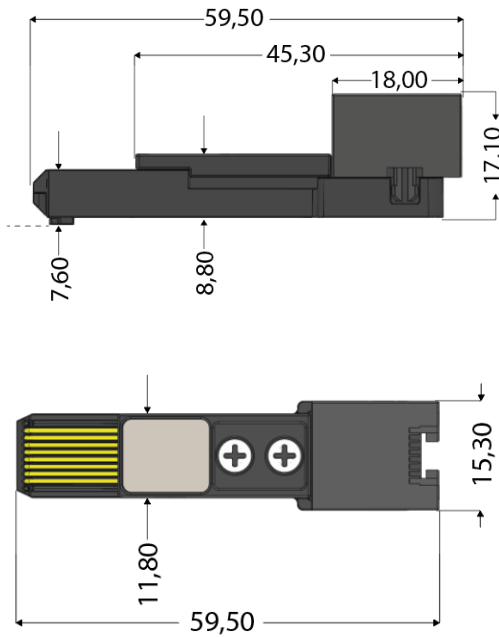
## ARF TEST Datasheet – RJ45 Connector – ARF 201 008 RJ45

### ARF 201 008 RJ45

Test Connector RJ45



#### Mechanical Dimensions (in mm)



#### General specifications

##### Dimensions

Length	59,50 mm
Height	18,10 mm
Wide	15,30 mm

##### Mechanical Specifications

Connection Type	RJ45 Male
DUT / Test Item	RJ45 Female

##### Electrical Specifications

Continuous Current	1 A
typ. Contact Resistance	20,00 mOhm
Operating Voltage VAC / VDC	25 VAC / 60 VDC
Data Transmission Rate	1 GBIT/S

##### Accessories

Floating Holder	ARF H 201
-----------------	-----------

##### Guarantee

Service Life	60,000 cycles
--------------	---------------

**NB: This connector should not be used manually; the plugin must be mechanically automated.**