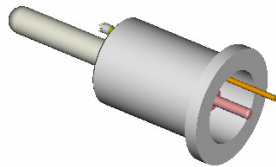


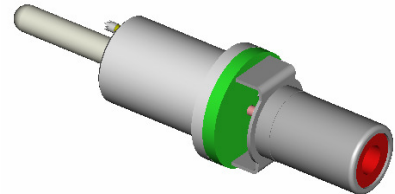
✚ Part Number : ARF-RCA (W or P)

- Single RCA/Cinch connector with Ground - Report: Wires or PCB+Plug
 - Hot Pin & Needles can be changed easily

ARF-RCA-W



ARF-RCA-P



A test plug connectors for RCA (Audio, SPDIF electrical) that simplify insertion into the connector's product and maintenance work

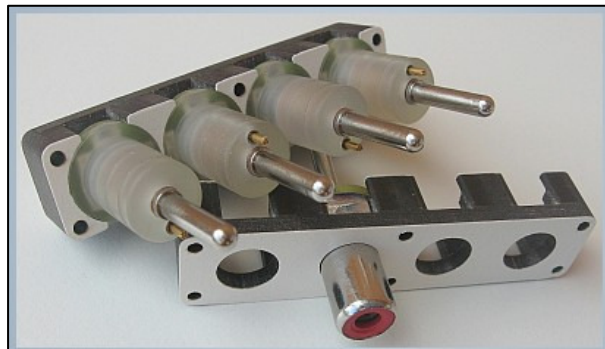
The central Hot Pin and the GND needle can be replaced easily.

The element can be mounted in an array pitch 14mm (mini) or more.

This connector can be used manually or automatically with adapted parts.

Contact us to build your particular needs(Matrix & specific step between elements)

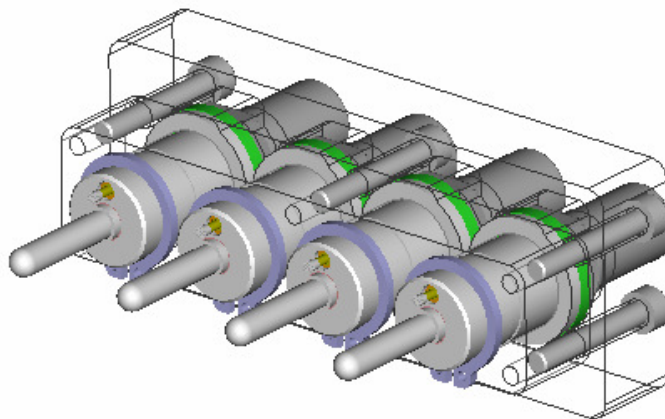
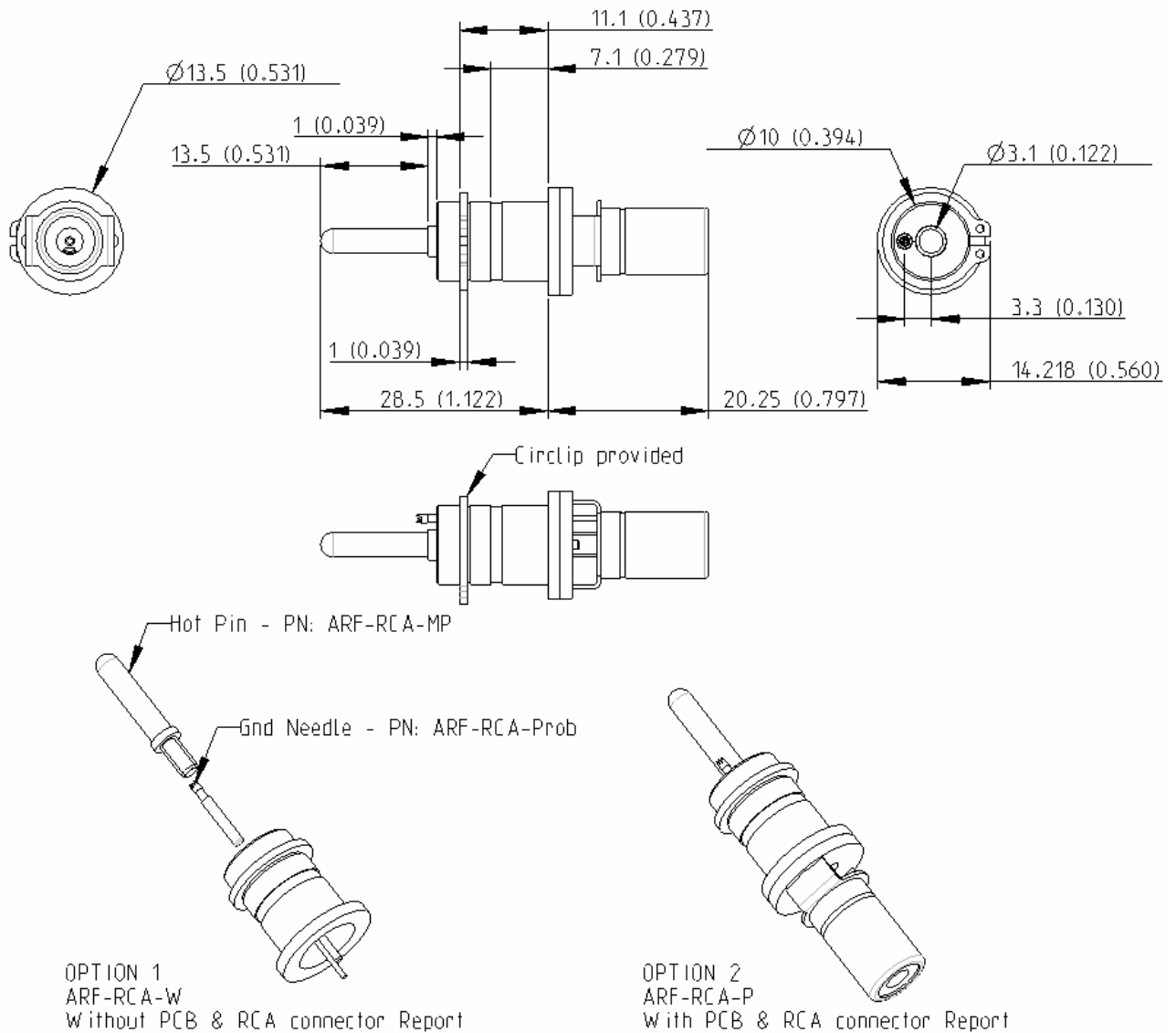
- **Materials**
Chosen for their High Endurance (Hot Pin Nickel Faced)
- **Small dimensions**
Easy Integration of component (Circlip is provided)
- **Male head**
Central Pin 3.1mm diameter, screw M2.5
- **Female Report**
Standard RCA connector, accept all standard cables of the market



ARF test
30, Chemin du vieux chêne
38240 Meylan

✚ Dimensions

- Overall Dimensions (mm) for integration
 - Can be grouped in a Matrix of 14 x 14 (mm)



ARF test
30, Chemin du vieux chêne
38240 Meylan

+33 (0)4 76 92 81 10 +33 (0)4 76 92 81 11 orderintake@arf-test.com www.arf-test.com
RC Grenoble 482 974 078 - SIRET 482 974 078 00016 - Code APE 518J - FR 72 482 974 078
Code banque : 30004 0275 00010188419 08 - IBAN : FR76 3000 4024 7500 0101 8841 908- BIC: BNPAFRPPA