

Shielding Box Low Cost  
Maintenance manual



Box Low Cost:  
ARF-S- LC



<b>1. GENERAL DATAS .....</b>	<b>2</b>
1.1 GENERAL SPECIFICATIONS .....	2
1.1.1 Interface dimensions .....	2
1.1.2 Interface weight .....	3
1.2 USE.....	3
<b>2 MAINTENANCE CHECKS.....</b>	<b>4</b>
2.1 STATE OF THE BALL BEARING .....	<b>ERREUR ! SIGNET NON DEFINI.</b>
2.2 STATE OF THE GAS SPRING .....	4
<b>4 CHANGING EXPENDABLE PARTS.....</b>	<b>5</b>
4.1 GAS SPRING.....	5
4.2 GASKET FOR SHIELDING .....	6
4.2.1 On the top part gasket size.....	6
<b>5 LIST OF MAINTENANCE PARTS .....</b>	<b>6</b>

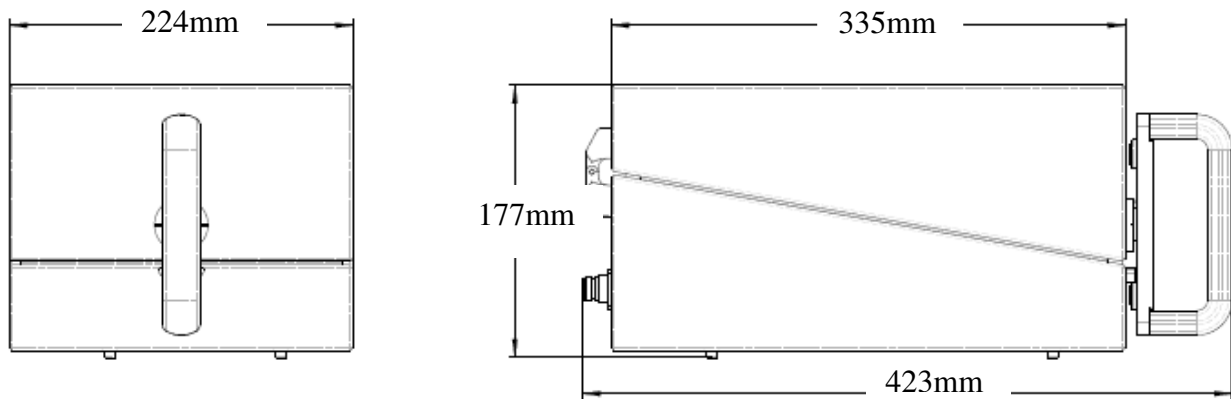


# 1. GENERAL DATAS

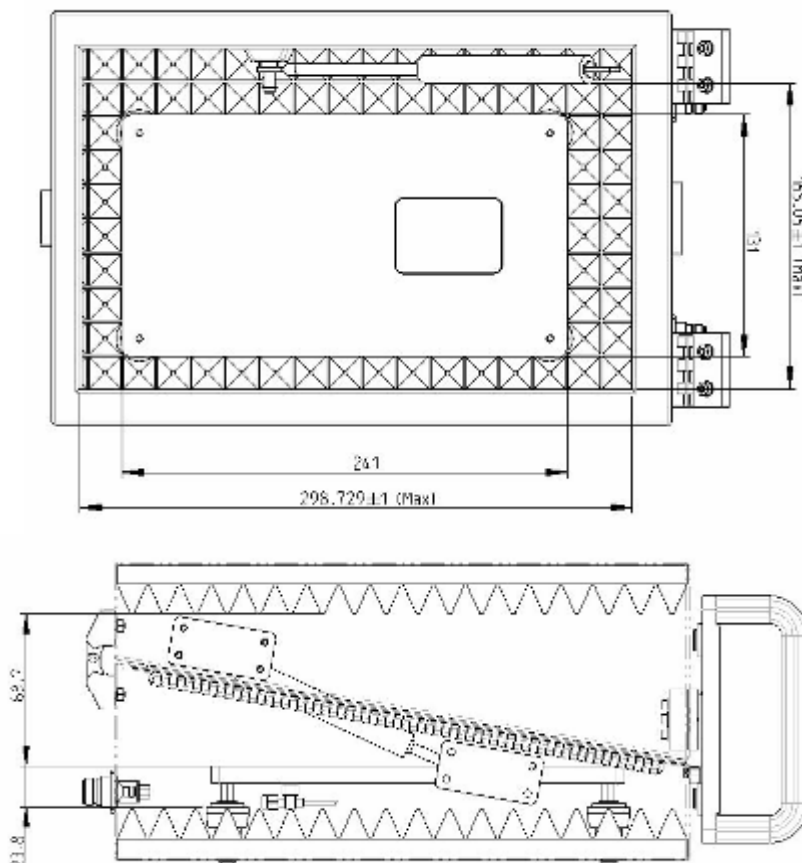
## 1.1 General specifications

### 1.1.1 Interface dimensions

The overall dimensions (mm) of the box are as follows :



Inside dimensions with coupler



## Shielding Box Low Cost Maintenance manual



### 1.1.2 Interface weight

The interface weights around 4.4Kg. (With handle)  
Manipulate the interface carefully and use your two hands

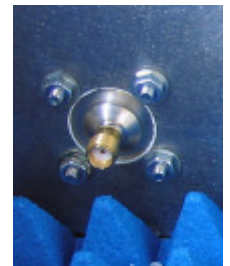
- Rear view  
On shielding two N connector one DB25 filter on shielding

Rear view shielding



Two N/SMA  
Connector

View SMA inside



Male DB 25 Filter

## 1.2 Use

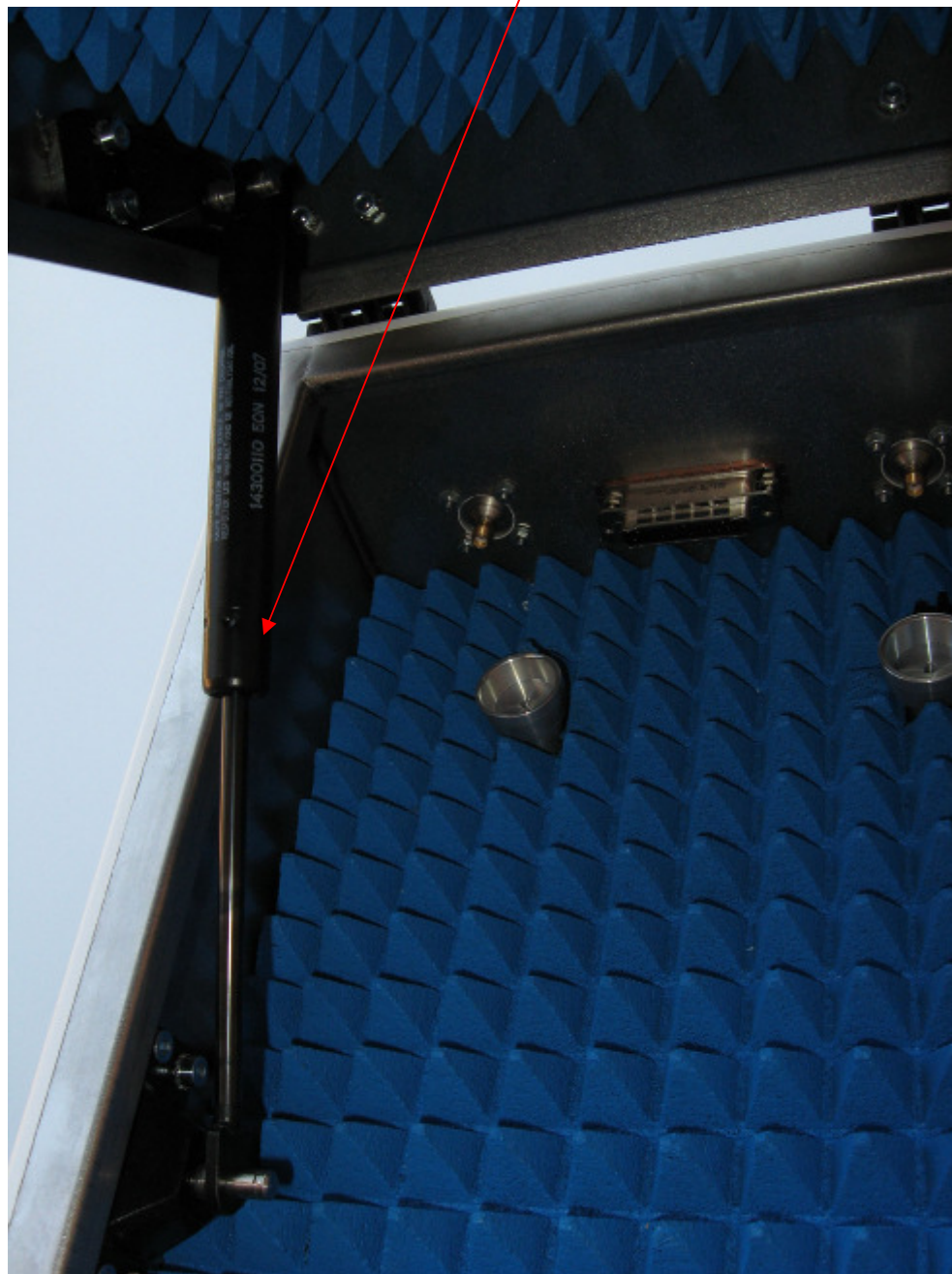
- The interface is designed to work on a stable and flat working surface
- Manipulate the interface carefully
- While the interface is not used, it is better to let it open (the RF joints are not compressed)
- **After a long time clean the gasket, during using cleaned time to time the gaskets if you see some dust.**



## 2 Maintenance checks

### 2.1 State of the gas spring

After opening, check the gas spring work properly



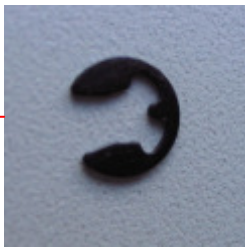


### 3 Changing expendable parts

You can order ,spare parts , *S-LC Gas spring* and *S-LC Set gasket* or *spare part Kit*, for foam contact us.

#### 3.1 Gas spring

- Open the box
- Remove the circlips ( manually or with screwdriver)
- 



- **Warning** : Nothing prevents the cover to fall
- Change the gas spring
- Put back circlips
- Check it works properly by opening the box several times



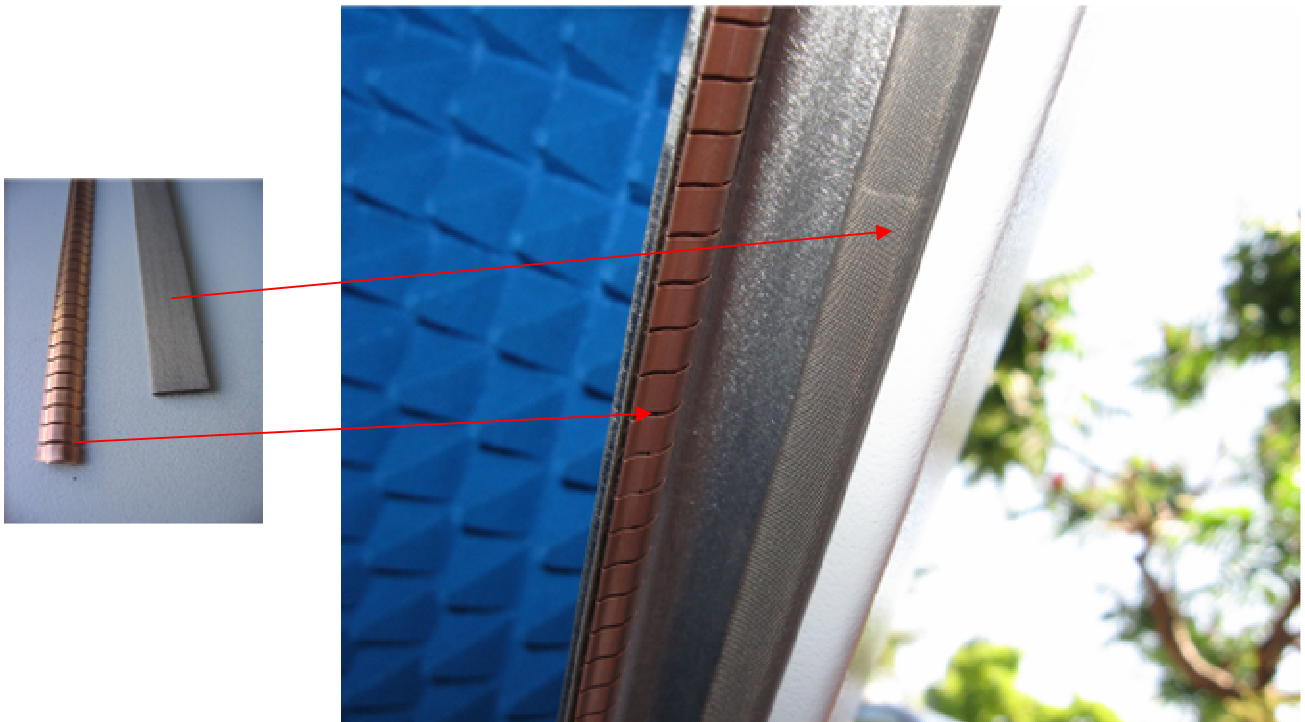


### 3.2 ***Gasket for shielding***

- Open the box

#### 3.2.1 On the top part gasket

- removed the old seal, cut the new at the good length and stick along the plate,
- warning in the angle gasket must be touched



## 4 LIST OF MAINTENANCE PARTS

**S-LC SPK** : Spare kit ( Set seals , one spring gas , screw ect..)

**Foam contact us**